

**SHURE**<sup>®</sup>



IntelliMix<sup>®</sup> Audio Processors

**COLLABORATE WITHOUT  
COMPROMISE.**



## Networked Audio Processor

---



### P300

#### IntelliMix® Audio Conferencing Processor

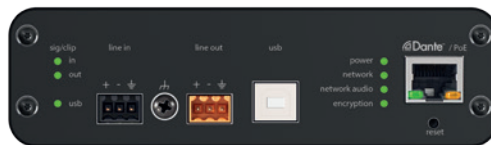
---

The IntelliMix P300 Audio Conferencing Processor seamlessly connects to Shure Microflex Advance and Microflex Wireless microphones for a complete, high-quality AV Conferencing experience from Shure. Featuring best-in-class acoustic echo cancellation, with noise reduction and automatic gain control for up to 8 Dante channels, the P300 ensures echo- and noise-free conference room audio that facilitates efficient communication and collaboration. Easy to install and configure, the P300 provides USB, mobile, and analog connectivity options, providing meeting participants unprecedented flexibility to connect with colleagues wherever they are.

- Supports up to 8 Dante microphone channels, connected over a single network cable
- Proprietary Shure IntelliMix DSP algorithms improve speech intelligibility and enable full duplex communication:
  - Per-channel Acoustic Echo Cancellation
  - Noise Reduction
  - Automatic Gain Control
  - Parametric Equalization
  - IntelliMix Automatic Mixing and Matrix Mixing
- BYOD support for USB and mobile devices allows soft codec audio/video conferencing
- Browser-based user interface with pre-defined templates simplifies programming and reduces setup time
- Power-over-Ethernet (PoE+) eliminates need for outboard power supply
- Compact form factor is easy to mount under table or in credenza, without need for equipment rack and long cable runs

## Networked USB Audio Interface

---



### ANIUSB-MATRIX

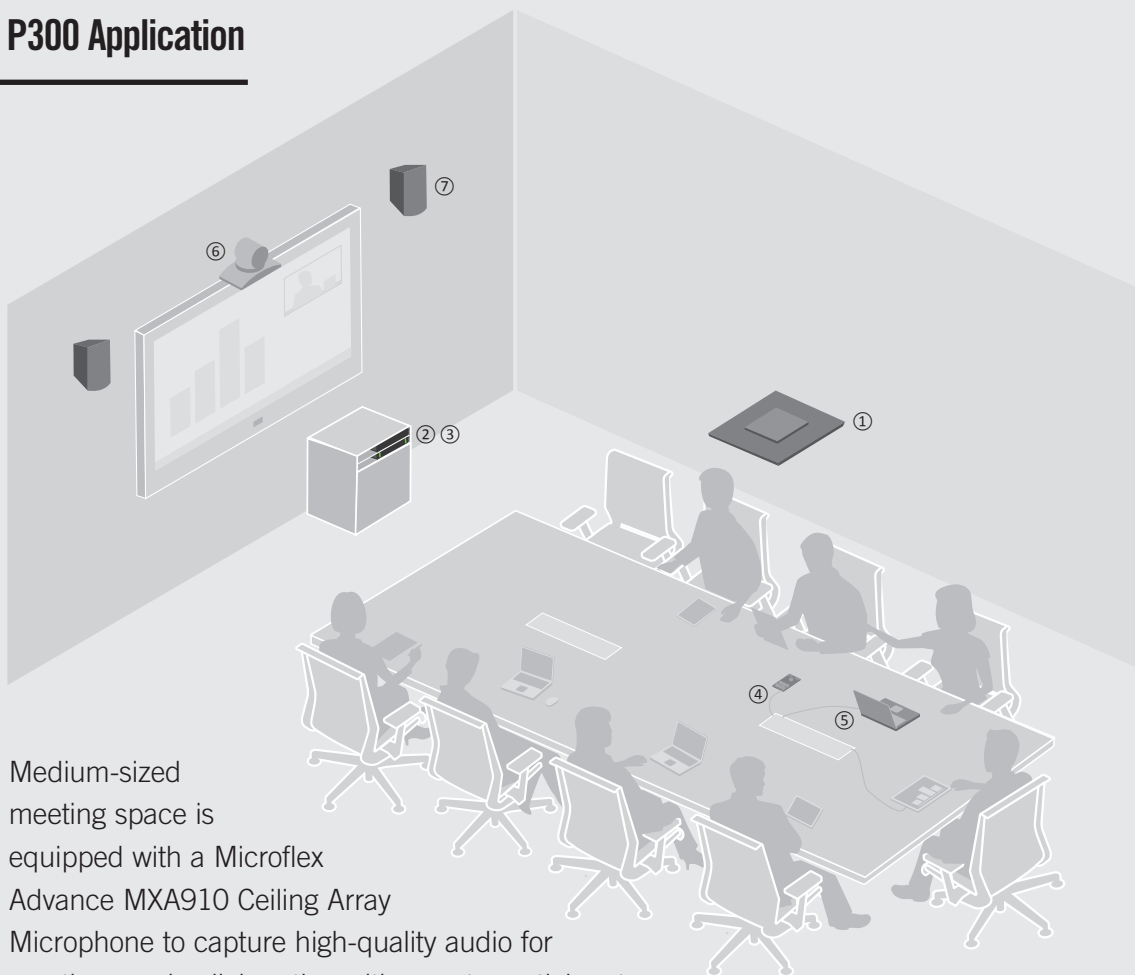
#### USB Audio Network Interface with Matrix Mixing

---

The ANIUSB-MATRIX Audio Network Interface provides a versatile hub for collaboration in small and medium-size meeting rooms, suitable for both room video conference systems and soft codec applications. The ANIUSB-MATRIX presents a budget-friendly companion to premium microphone solutions, while leveraging the integrated processing functionality of existing video codecs in the room.

- Connects 4 Dante audio inputs and 1 analog input to a room audio/video conferencing system or PC-based A/V conferencing app
- USB connectivity allows use of soft codec A/V conferencing applications like BlueJeans, Skype for Business etc.
- Matrix Mixer provides flexible signal routing, while PEQ (Parametric Equalization) and Limiter allow precise control of meeting audio
- Browser-based user interface for remote control of device functionality
- Single network cable connectivity, with Power-over-Ethernet (PoE) to eliminate outboard power supply
- Included mounting tray installs easily and allows to secure the device under a table

## Typical P300 Application

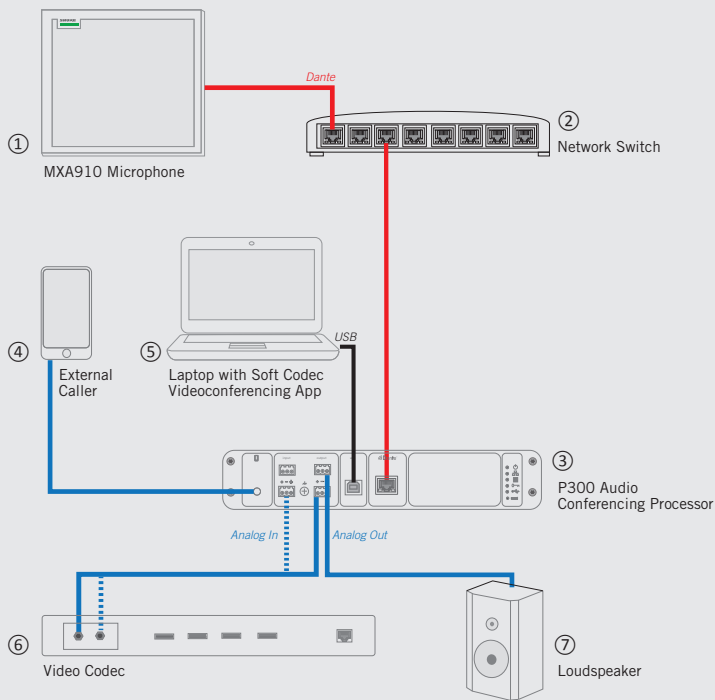


Medium-sized meeting space is equipped with a Microflex Advance MXA910 Ceiling Array Microphone to capture high-quality audio for meetings and collaboration with remote participants.

## Typical ANIUSB-MATRIX Application

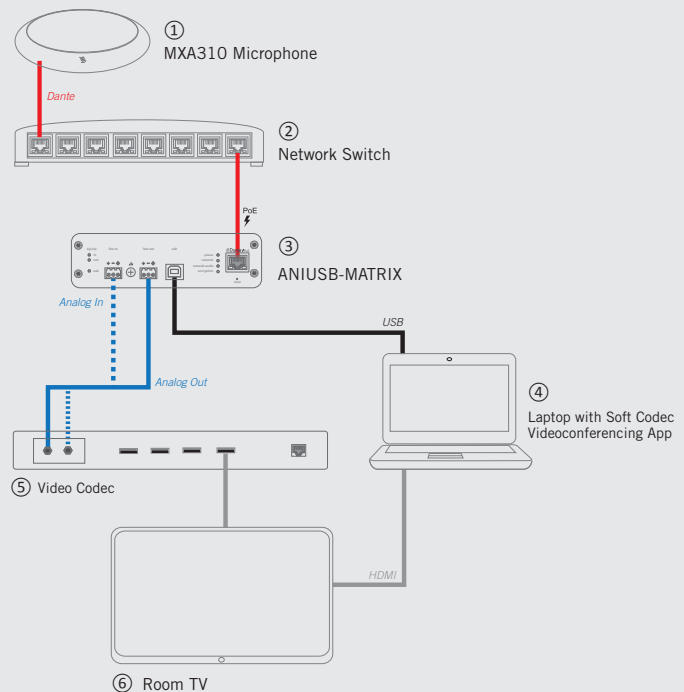


Small room designed for small team meetings and collaboration with remote participants.



The P300 processes audio from the MXA910 Ceiling Array and sends it to the far end via the in-room video conference system. It also provides connectivity for USB and mobile devices at the table, allowing for easy collaboration with additional remote attendees. The P300's advanced DSP algorithms eliminate echo and noise to provide a high quality audio experience for natural and interactive conversations.

To ensure a high-quality audio experience for the far end, the ANIUSB-MATRIX routes audio from a Microflex Advance MXA310 Table Array Microphone to the room video conference system, or to a soft codec video conferencing app on a participant's own device. Audio from the far end is heard through the TV connected to the laptop or VC system through HDMI cable.



# BETTER TOGETHER. PERFECTLY PAIRED CONFERENCE AUDIO.

The IntelliMix® P300 Audio Conferencing Processor and ANIUSB-MATRIX were developed to seamlessly integrate with Shure Networked Microphones, including Microflex® Advance™ and Microflex® Wireless. The P300 and ANIUSB-MATRIX include versatile features and connectivity options; providing freedom of choice when joining an in-room video system, software codec via USB, or mobile device — for a hassle-free, cost-effective audio conferencing solution.



## AUDIO PERFORMANCE

Enhanced meeting room audio for natural communication and better interaction in A/V conferences.



## CONNECTIVITY

Connect how you want, with options for PC-based soft codecs via USB, mobile devices, or analog in-room conference systems.



## SIMPLICITY

Fixed signal flow and intuitive user interface minimizes DSP programming and on-site installation time.



## COMPACT & QUIET DESIGN

Silent and small-size form factor allows fast and discreet installation behind a TV screen or under the table, without any audible fan noise.



# Networkable Shure Microphones

---

## Microflex® Advance™

### Array Microphones

---

Microflex Advance Ceiling and Table Array Microphones offer a versatile and elegant A/V conferencing solution that discreetly and precisely capture the richness of the human voice, featuring proprietary Steerable Coverage™ technology to accurately capture sound sources from any location in a meeting room.

Ceiling Array Microphone | **MXA910**

Table Array Microphone | **MXA310**



## Microflex® Wireless

### Microphone Systems

---

Microflex Wireless brings vivid, lifelike sound and wireless flexibility to managed A/V environments. Easy to configure and expand, the system scales from custom boardrooms to networked enterprises, with comprehensive software tools for remote system management.

Networked Charging Stations

**MXWNCS2 | MXWNCS4 | MXWNCS8**

2-, 4- and 8-Channel

Access Point Transceivers

**MXWAPT2 | MXWAPT4 | MXWAPT8**



Dante Audio Networking enables delivery of low-latency, multi-channel, uncompressed digital audio over a standard Ethernet network.

---

**SHURE**

LEGENDARY  
PERFORMANCE™

**United States, Canada,  
Latin America, Caribbean:**  
Shure Incorporated  
5800 West Touhy Avenue  
Niles, IL 60714-4608 USA

Phone: 847-600-2000  
Fax: 847-600-1212 (USA)  
Fax: 847-600-6446  
Email: info@shure.com

**Europe, Middle East, Africa:**  
Shure Europe GmbH  
Jakob-Dieffenbacher-Str. 12,  
75031 Eppingen, Germany

Phone: 49-7262-92490  
Fax: 49-7262-9249114  
Email: info@shure.de

**Asia, Pacific:**  
Shure Asia Limited  
22/F, 625 King's Road  
North Point, Island East  
Hong Kong

Phone: 852-2893-4290  
Fax: 852-2893-4055  
Email: info@shure.com.hk